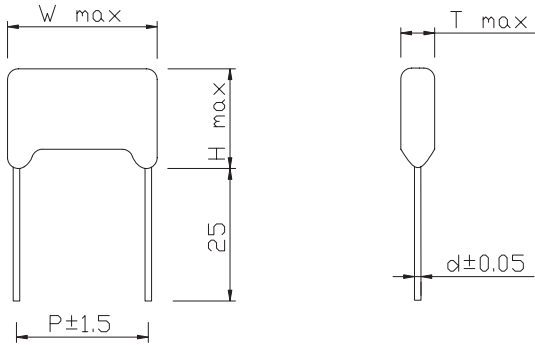


## Film Capacitors Series

### Metallized Polyester Film Capacitor Type: MEF-CL21



X

#### Construction

Dielectric	Polyester Film
Electrodes	Aluminum Metalization
Winding	Non-inductive type
Leads	Tinned Wire
Outer coating	Flame retarding epoxy resin

#### Features & APPLICATION

Wide capacitance range, small size and light weight  
 Long life due to self-healing effect  
 Flame retardation epoxy resin powder coating provides safety  
 Suitable for blocking, by-pass and coupling of DC and signals to VHF range  
 Widely used in filter and low pulse circuits

#### Specifications

Reference Standard:	GB 7332 (IEC60384-2)
Rated Voltage:	100VDC-250VDC-400VDC-630VDC
Rated temperature:	+85°C
Operating Temperature Range:	-55°C~+105°C
	Derating ratio of rated voltage +85°C~+105°C: 1.25% per °C for VR (DC)
Capacitance Range:	0.01μF~2.2μF
Capacitance Tolerance :	±5%(J);±10%(K)
Dissipation Factor:	1% max (25°C , 1KHz)
Insulation Resistance:	R>30 000MΩ CR <0.33uF 20 +5°C, 100V, 1min
	R>10 000MΩ 1.0uF≥ CR≥ 0.33uF
	R>1 000MΩ CR> 1.0uF
Voltage Proof:	1.5U <sub>R</sub> (5s)

## ORDER INFORMATION

Product No.:	KLS10 - CL21 - XXX X XX - XX
Pos.No.	Product Name: CAPACITANCE
	IN 3DIGITS
	332=0.0033uF
	104= 0.1uF
	474= 0.47uF
	105= 1uF
	TOL. K= ± 10% J=± 5%
	Rated Voltage 100=100VDC 250=250VDC 400=400VDC
	Pitch P5=5mm P7.5=7.5mm

