



# WANJIA

Relays for advanced technology

## POWER RELAY

## WJ172-RELAYS



- Small size and light weight.
- Low coil power consumption.
- High contact load.
- Strong anti-shock high reliability.

## SPECIFICATIONS

### Contact

Arrangement	1A、 1B、	1C ;
Contact Material	Silver alloy	
Contact Resistance (By voltage drop 6V 1A)	Max.50mΩ	
Rating	50A	40A
Resistive load	250VAC	250VAC
Max. Switching Power	1120W 10000VA	
Expected life(min. ope)		
Mechanical(at 120 cpm)	1×10 <sup>6</sup>	
Electrical (at 20 cpm)	1×10 <sup>5</sup>	

### Characteristics

Operate Time	Max.10msec.	
Release Time	Max.10msec.	
Operating humidity	40 to 90% RH	
Initial breakdown voltage Between coil & contact Between open contacts	1500VAC (50/60Hz)for 1 min. 1500VAC (50/60Hz)for 1 min.	
Insulation Resistance	Min. 1000MΩ (500 VDC)	
Shock Resistance	Functional	Min.10G
	Destruction	Min. 100G
Vibration Resistance	Functional	10 to 55 Hz at double Amplitude of 1.5mm
	Destruction	10 to 55 Hz at double Amplitude of 1.5mm
Unit weight	≤90g	

### Coil

Nominal operating power	3.0W to 4.5VA
-------------------------	---------------

### TYPICAL APPLICATION

- 1.Industrial machine
- 2.Electrical equipment
- 3.Air conditioner and household applications
- 4.PCB mounting Pin

## ORDERING INFORMATION

**WJ172 - 1 C - 12VDC 12Ω**

①      ②      ③                      ④      ⑤

①Type	②Number of pole	③Contact form	④Coilvoltage (DC)	⑤Coil resistance
WJ172	1:1pole	A: 1 form A B: 1 form B C: 1 form C	6, 12, 24V  220VAC	12,48,192: 1.2W  2800 : 1.2VA


 Back List

[go to the second page](#)

## COIL DATA (at 20°C)

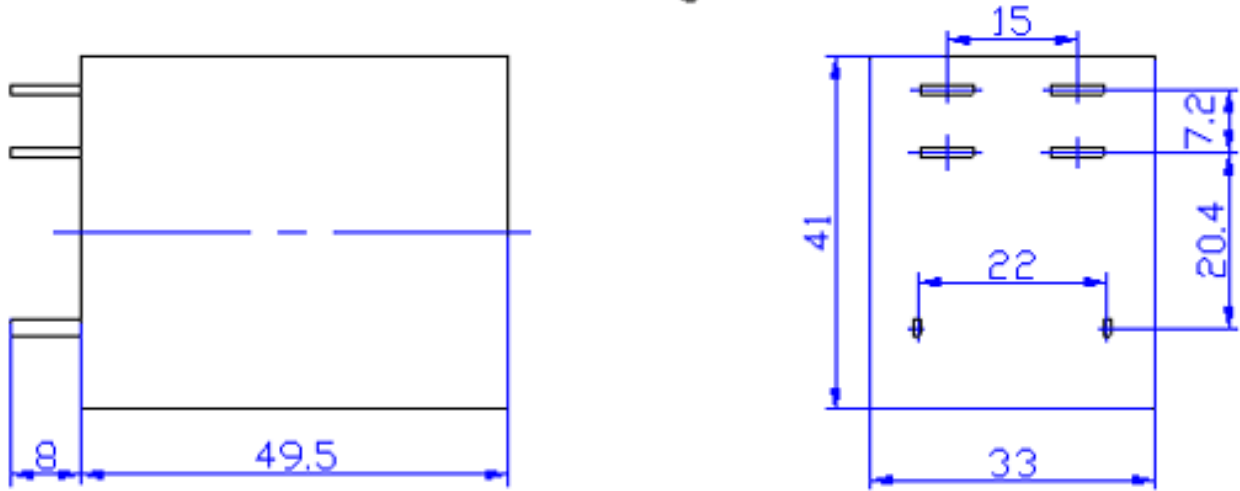
Nominal Voltage(VDC)	Coil Resistance( $\Omega$ ) $\pm$ 10%	Power Consumption(W)	Pull-in Voltage(VDC)	Drop-out Voltage(VDC)	Max.Allowable Voltage(VDC)
6	12	3.0	75%Max.	10%Min.	120% of nominal Voltage
12	48				
24	192				
220	2800	4.5VA	80%Max.	30%Min.	

## DIMENSIONS

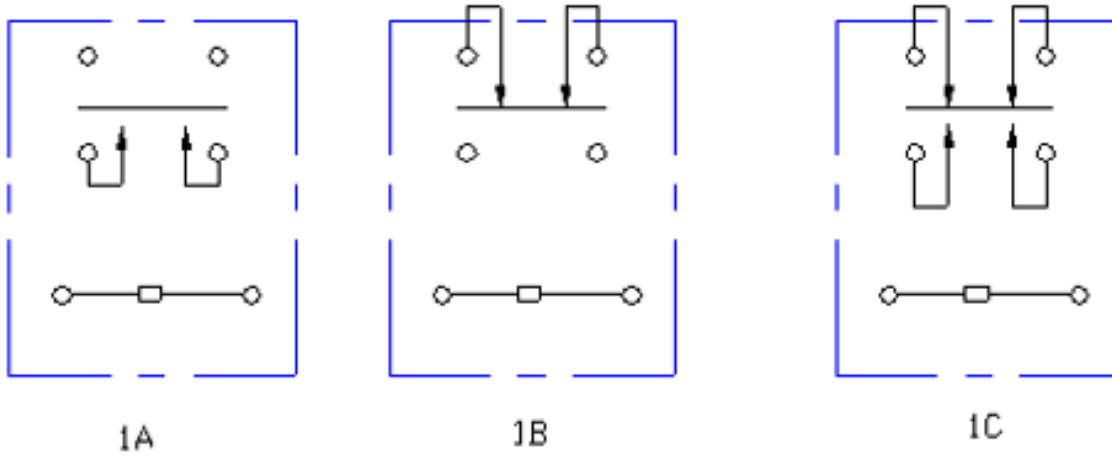
Unit: mm



### Dimensions and Mounting



### Wiring diagram



Note: The relative changes for the specification will not be advised in the future.

[Back List](#)

[back to the first page](#)