

# SPECIFICATION

## FOR APPROVAL

Customer :

Description : Piezo Audio Transducer

KLS Model No. : L-KLS3-PB-14\*08-B

Customer's Model No. :

ISSUE	CHECK	APPROVAL	CUSTOMER
ZhuYu 13.01.11	ShiCong 13.01.11	WangXueWen 13.01.11	

**KLS ELECTRONIC CO., LTD.**

Add: NO. 8-1, RONGXIA RD. XIAPU SHANQIAN INDUSTRIAL  
ZONE BEILUN NINGBO ZHEJIANG 315807

[Tel:86-574-86828566](tel:86-574-86828566)

Fax: 86-574-86824882

E-mail:sales@klsele.com

<http://www.klsele.com/>

# SPECIFICATIONS

Model No.

L-KLS3-PB-14\*08-B

Page

1/5

## 1. ELECTRICAL AND ACOUSTICAL SPECIFICATION

	Item	Unit	Specifications
1-1	Rated Voltage	V	12
1-2	Operating Voltage	V	3-16
1-3	* Rated Current (Max)	mA	7
1-4	* Min Sound Output at 10cm	dB	80
1-5	* Resonant Frequency	Hz	4000±500
1-6	Tone Nature		Single
1-7	Operating Temperature	°C	-30~+80
1-8	Storage Temperature	°C	-40~+85
1-9	Weight	g	1
1-10	Housing Material		Noryl (Black)
1-11	Lead Pin Material		Red Copper (DSn)

\* Value Applying at Rated Voltage(DC)

		13.01.11	ZhuYu	ShiCong	WangXueWen
Issue No	Description	Date	Issue	Check	Approval

**KLS ELECTRONIC CO., LTD.**

# SPECIFICATIONS

Model No.

L-KLS3-PB-14\*08-B

Page

2/5

## 2.ENVIRONMENTAL TEST

Item	Specifications
2-1 Storage in High temp.	Storage in $+85^{\circ}\text{C} \pm 2^{\circ}\text{C}$ test box for 240 hours, then expose to the room temperature for 2 hours without applying power.
2-2 Storage in Lower temp.	Storage in $-40^{\circ}\text{C} \pm 2^{\circ}\text{C}$ test box for 240 hours, then expose to the room temperature for 2 hours without applying power.
2-3 Storage in Humidity	Storage in $+40^{\circ}\text{C} \pm 2^{\circ}\text{C}$ 90-95%RH test box for 96 hours, then expose to the room temperature for 2 hours without applying power.
2-4 Thermal cycle test.	<p>Make this test for 5 cycles without applying power, then expose to the room temperature for 2 hours.</p>
2-5 Vibration test	<p>Amplitude: 1.5mm Time : 1min/axis</p> <p>Make this test for the directions of X,Y, Z for 2 hours each (total 6 hours).</p>
2-6 Drop test	Free drop a unit from the height 100cm to the surface of 10mm thick board ,three directions(X,Y,Z).
2-7 Solderability test	Soldering temp.: $260 \pm 5^{\circ}\text{C}$ Heat applying time: $3 \pm 0.5\text{sec}$ .

PASS CRITERION :

After these tests , the change of S.P.L shall be within  $\pm 5 \text{ dB}$  .

		13.01.11	ZhuYu	ShiCong	WangXueWen
Issue No	Description	Date	Issue	Check	Approval

**KLS ELECTRONIC CO., LTD.**

# SPECIFICATIONS

Model No.

L-KLS3-PB-14\*08-B

Page

3/5

## 3.MEASURING METHOD(BUZZER MODE)

### 3-1 .Test Condition

#### 3-1-1.STANDARD

Temperature :  $25 \pm 3^{\circ}\text{C}$

Relative humidity : 60% ~ 70%,

Atmospheric pressure : 860mbar to 1060mbar

#### 3-1-2.JUDGEMENT

Temperature : 15 ~  $35^{\circ}\text{C}$

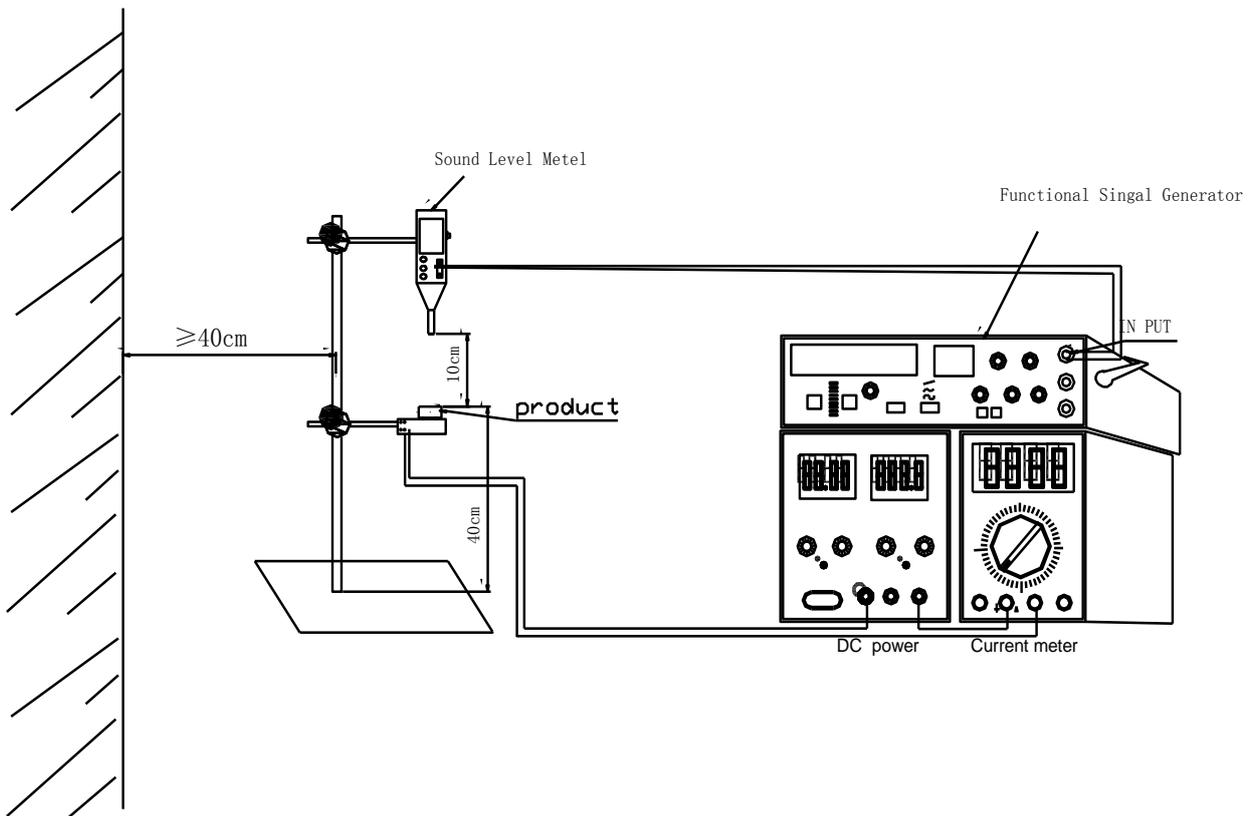
Relative humidity : 45% ~ 85%,

Atmospheric pressure : 860mbar to 1060mbar.

### 3-2 . Standard Test Fixture

1.rated Voltage(Square wave): 12V

2.Resonant Frequency:  $4000\text{Hz} \pm 500$



		13.01.11	ZhuYu	ShiCong	WangXueWen
Issue No	Description	Date	Issue	Check	Approval

**KLS ELECTRONIC CO., LTD.**

# SPECIFICATIONS

Model No.

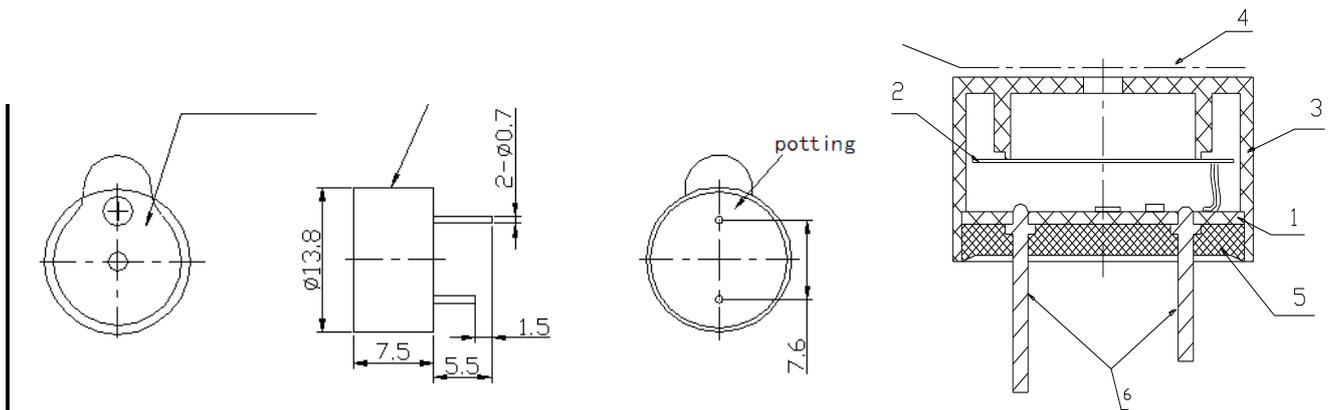
L-KLS3-PB-14\*08-B

Page

4/5

## 5.DIMENSIONS

Unless otherwise specified, tolerance:  $\pm 0.5$ (unit:mm)



- 1) All parts must meet to ROHS.
- 2) Wave solder and wash allowed.

7				
6	Lead pin	2	Red Copper (DSn)	
5	Epoxy		Resin	
4	Masking label	1	Paper	
3	Housing	1	Black Noryl	
2	Piezo element	1	Nickel	
1	PCB	1	Epoxy Board	
Part No.	Part Name	Q'TY	Material	

		13.01.11	ZhuYu	ShiCong	WangXueWen
Issue No	Description	Date	Issue	Check	Approval

**KLS ELECTRONIC CO., LTD.**

# SPECIFICATIONS

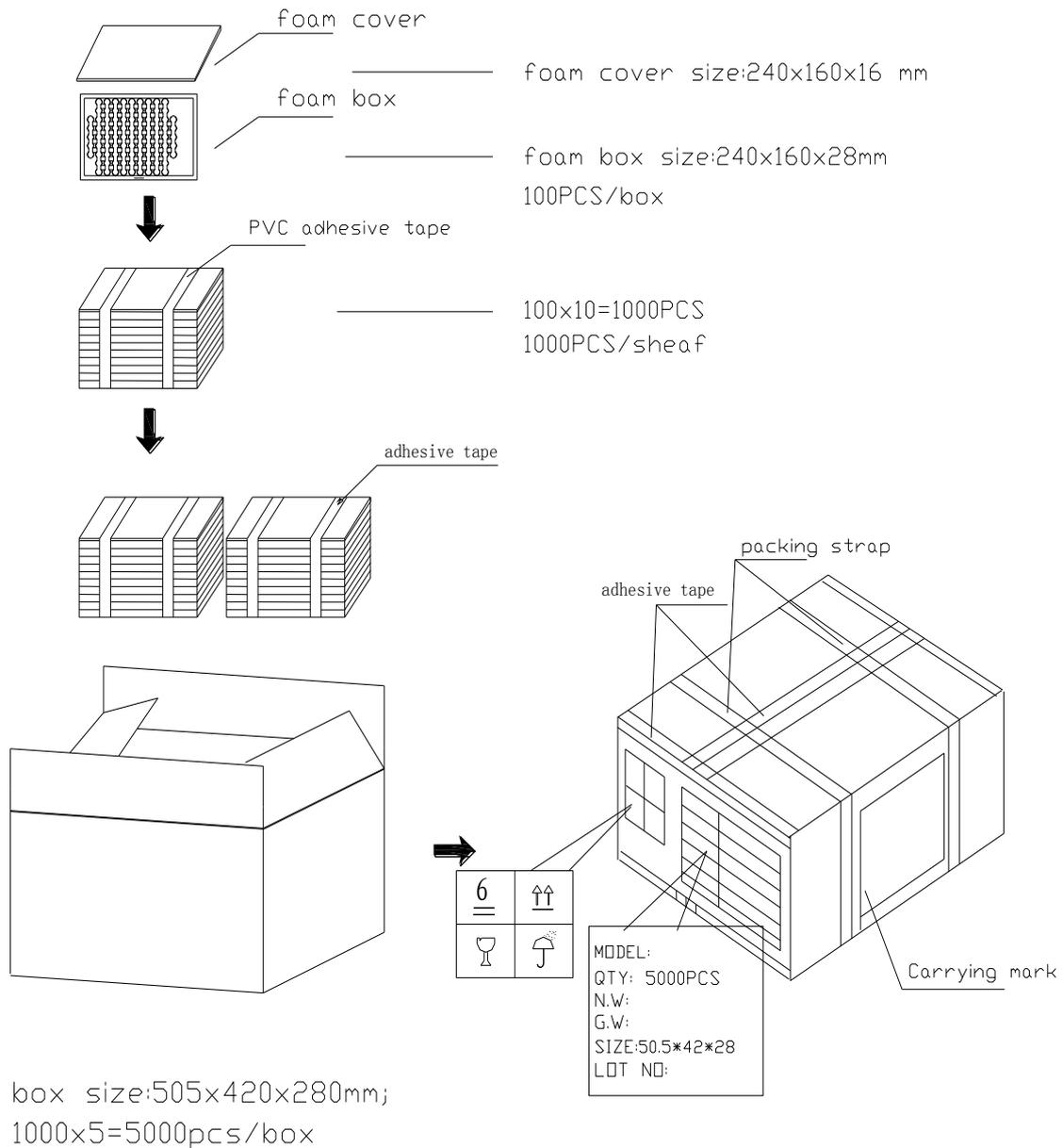
Model No.

L-KLS3-PB-14\*08-B

Page

5/5

## 6.PACKING



		13.01.11	ZhuYu	ShiCong	WangXueWen
Issue No	Description	Date	Issue	Check	Approval

**KLS ELECTRONIC CO., LTD.**