

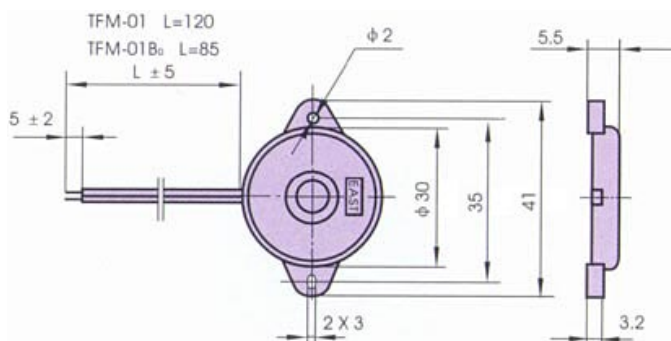
• **TFM-01(TFM-01B<sub>0</sub>)**



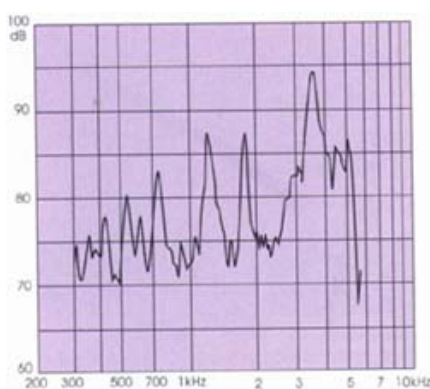
**FEATURES:**

- Low frequency
- Low current drain
- Light and compact

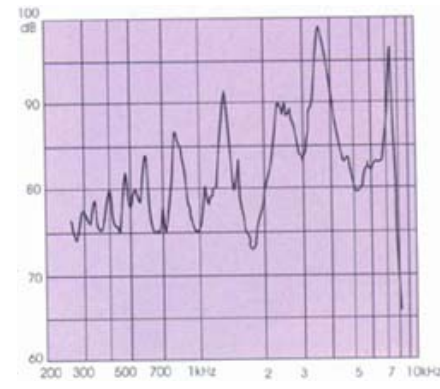
**DIMENSIONS: (Unit: mm)**



**CHARACTERISTICS:**



TFM-01 12V<sub>p-p</sub> Square Wave / 30cm



TFM-01B<sub>0</sub> 9V<sub>p-p</sub> Square Wave / 10cm

**ELECTRICAL SPECIFICATIONS :**

Model No.	TFM-01	TFM-01B <sub>0</sub>
Min. Sound Pressure Level (dB)	75/1.3kHz/12V <sub>p-p</sub> Square Wave / 30cm	90/3.5kHz/9V <sub>p-p</sub> Square Wave / 10cm
Max. Consumption (mA)	3.5/1.3kHz/12V <sub>p-p</sub> Square Wave	5/3.5kHz/9V <sub>p-p</sub> Square Wave
Resonant Frequency (kHz)	1.3 ± 0.5	3.5 ± 0.5
Capacitance at 120Hz (nF)	45 ± 30%	
Allowable Input Voltage (V <sub>p-p</sub> )	40	
Operating Temperature (°C)	-20 ~ +70	
Weight (g)	3.5	
Case Material/Colour	ABS/Black	

**PACKING INFORMATION :**

Packing :	3200 pcs per export carton
Carton Size :	47 X 30.5 X 19 cm
G. Weight :	13 kgs
N. Weight :	11.2 kgs

• **TFM-59DA<sub>1</sub>(DA<sub>2</sub>)**

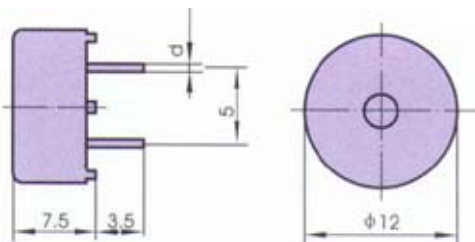


**FEATURES:**

- Super mini size
- Low current consumption
- High output

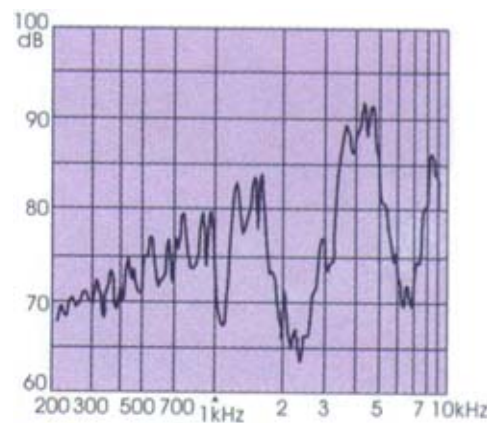
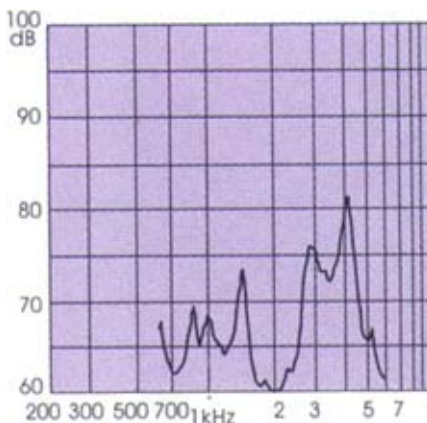
<b>TFM59DA-1</b>	d=Ø0.8
<b>TFM-59DA-2</b>	d=Ø0.7

**DIMENSIONS: (Unit: mm)**



**TFM-59D**

**CHARACTERISTICS:**



**TFM-59DA-1 3V<sub>P-P</sub> Square Wave /10cm TFM-59DA-2 12V<sub>P-P</sub> Square Wave /10cm**

<b>ELECTRICAL SPECIFICATIONS :</b>		
<b>Model No.</b>	<b>TFM-59DA-1</b>	<b>TFM-59DA-2</b>
Min. Sound Pressure Level (dB)	70/4.0kHz/3V <sub>P-P</sub> Square Wave /10cm	80/4.0kHz/12V <sub>P-P</sub> Square Wave /10cm
Max. Consumption (mA)	3/4.0kHz/3V <sub>P-P</sub> Square Wave	6/4.0kHz/12V <sub>P-P</sub> Square Wave
Resonant Frequency (kHz)	4.0 ± 0.5	
Capacitance at 1000Hz (nF)	11 ± 30%	
Allowable Input Voltage (V <sub>P-P</sub> )	25	
Operating Temperature (°C)	-20 ~ +70	
Weight (g)	1	
Case Material/Colour	PC/Black	
<b>PACKING INFORMATION :</b>		
Packing :	5000 pcs per export carton	
Carton Size :	47 X 30.5 X 25 cm	
G. Weight :	6.5 kgs	
N. Weight :	5 kgs	