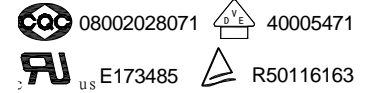


PCB 继电器

HJR-3FF

- 10A switching capability
- Small footprint
- Sealed type available
- Class B/F available
- Conform to RoHS,ELV directive



ORDERING CODE

<u>HJR-3FF</u>	<u>S</u>	<u>Z</u>	<u>F</u>	<u>2</u>	<u>(TBF-1)</u>	<u>/</u>	<u>12VDC</u>	<u>/IT</u>
1	2	3	4	5	6	7	8	
1. Relay Model	4. Temperature Range			6. Insulated Level				
2. Sealed	F:CQC/ UL/TUV 105°C			TBF-1: Class F				
3. Contact form	VDE 85°C			Nil:standard				
Z: Form C	Nil: CQC/UL/TUV 85°C			7. Coil Nominal Voltage				
	VDE 70°C			3,5,6,9,12,18,24,48VDC				
	5. Contact code: Nil-standard			8. GWIT				
	2----M-contact AgCdO tail height 0.9			IT: 750°C (at 2 s)				
	3---M-contact AgCdO triple compound			Nil-standard				
	4----M-contact Aglao							

COIL DATA (at 20°C)

Nominal Voltage(VDC)	3	5	6	9	12	18	24	48	0.36W
Coil Resistance ($\Omega \pm 10\%$)	25	69	100	225	400	900	1600	6400	
Rated Current(mA)	120	71.4	60	40	30	20	15	7.5	
Max Operate Voltage (VDC)	2.25	3.75	4.5	6.75	9	13.5	18	36	
Min Release Voltage (VDC)	0.15	0.25	0.3	0.45	0.6	0.9	1.2	2.4	
Max Applicable Voltage	130% of nominal voltage at 70°C, 170% of nominal voltage at 70°C								

CONTACT DATA

Contact Form	1Z		
Contact Material	Silver Alloy		
Load	Resistive load(COS Φ =1)		
Contact Ratings	Contact code: Nil 7A240VAC electrical life 100,000 times 10A120VAC electrical life 30,000 times	Contact code: 2 or 3 7A240VAC electrical life 30,000 times 10A120VAC electrical life 10,000 times	Contact code: 4 7A240VAC electrical life 30,000 times Unsuitable for inductive load
Minimum load	100mA 5VDC		
Max Switching Voltage	250VAC/30VDC		
Max Switching Current	15A		
Max Switching Power	2770VA/240W		
Contact Resistance	100m Ω Max at 6VDC 1A		
Life Expectancy	Electrical: Operations(at 30 Operations/minute)		

Mechanical: 10, 000, 000 Operations(at 300 Operations/minute)

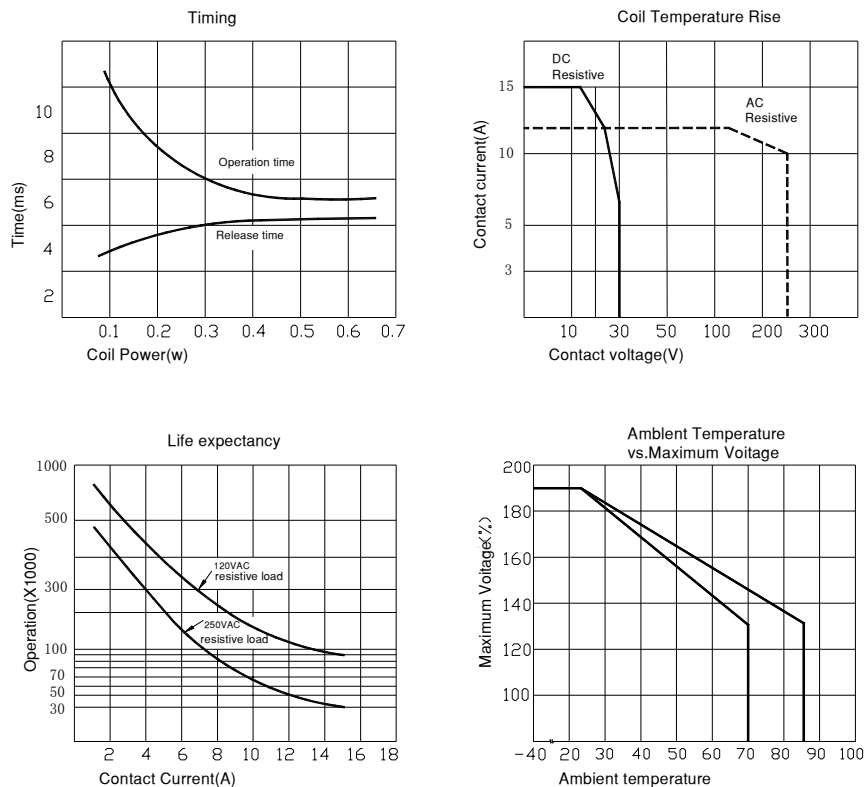
CHARACTERISTICS DATA

Insulation Resistance	100M Ω Min at 500VDC
Dielectric Strength Between Open Contacts	750VAC(50/60Hz for one minute)
Between Contacts and coil	1500VAC(50/60Hz for one minute)
Operate Time	10ms
Release Time	5ms
Temperature Range	-40°C to +85°C (or 105°C)
Shock Resistance	Operating Extremes: 10G
	Damage Limits: 100G
Vibration Resistance	10-55Hz, 1.5mm
Max. switching frequency	Mechanical: 18,000 operations/hr
	Electrical: 1,800 operations/hr
Humidity	40-85%
Weight	Approx 10g
Safety Standard	UL cUL TÜV CQC VDE

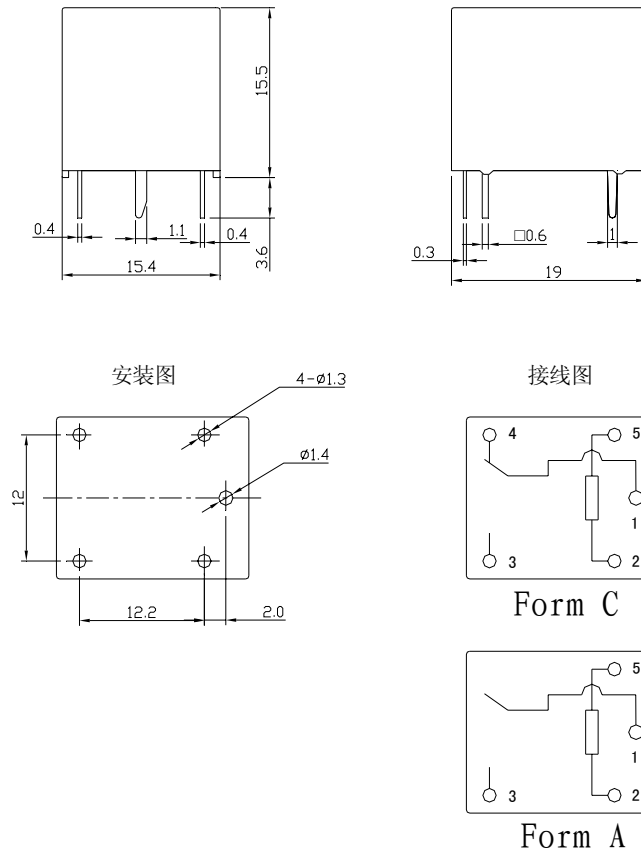
APPROVED STANDARDS

Model	Coiling rating	Safety Standard	Contact rating
HJR-3FF	3 to 48VDC	TÜV	1H: 15A 125VAC 10A 240VAC
			1Z: 15A 125VAC 7A 240VAC
		UL/cUL	1H: 10A 240VAC 12A 120VAC
			1Z: 7A 240VAC 10A 120VAC
			1/8HP(FLA 3.8A) 125VAC
			1/8HP(FLA 1.6A) 277VAC
		VDE	1H: 7A 250VAC/30VDC
			1Z: 7A 250VAC/30VDC
			H F: 10A 250VAC; 10A 30VDC
			Z F: 10A 250VAC; 10A 30VDC
		CQC	7A 240VAC 10A 240VAC

ENGINEERING DATA



■ OVERALL AND MOUNTING DIMENSIONS



- Remark: 1) In case the tolerance is not shown in outline dimension, the tolerance should be $\pm 0.2\text{mm}$ for outline dimension $\leq 1\text{mm}$; $\pm 0.3\text{mm}$ for outline dimension: 1~5mm and $\pm 0.4\text{mm}$ for outline dimension $> 5\text{mm}$.
- 2) The tolerance without indication is always $\pm 0.1\text{mm}$ for dimension of PCB layout.

Disclaimer:

These specifications are just for customers' reference and subject to change without notice.