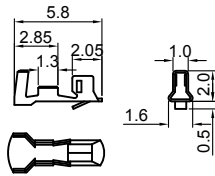


Dept	Qty
DC	1
ED	1
IE	1
ISO	1
PD	1
R&D	1
SD	1
QA	1
QC	1
QE	1

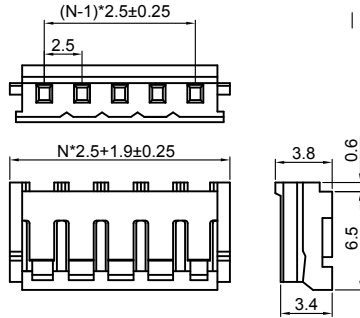
Female Terminal



T - DS1069-01 - S C X 0 0

Contact Plating
6: Tin

Female Housing

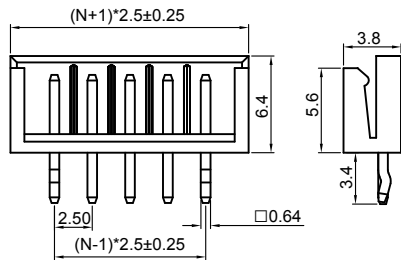


I - DS1069-01 - S C X 0 X

No.of Hole
02~20

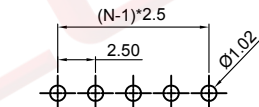
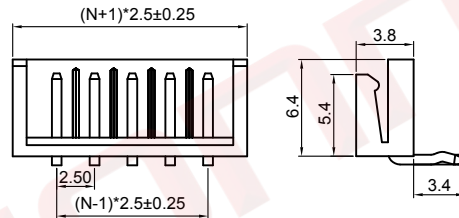
Color of Housing
W: White

Male V/T Type



N=No.of contact

Male R/A Type



Recommend PCB layout
(Tolerance:±0.05)

REV.	DESCRIPTION	DRAWN	CHECKED	APPROVED
A	NEW RELEASE	LL 07/06/06'		LJC 07/06/06'
C	DRAWING UPDATE	JLZ 05/04/21'		

Notes:

Specifications:

1. Contact Resistance: 20mΩ Max.
2. Insulation Resistance: 1000MΩ Min.
3. Dielectric Withstanding Voltage: 600V AC(rms) For 1 Minute.
4. Current Rating:3A.
5. Temperature: -25°C~+85°C.

Materials:

1. Contact Material: Copper Alloy.
2. Contact Plating: Tin Plating Over Nickel.
3. Insulator Material: Nylon 66,White.

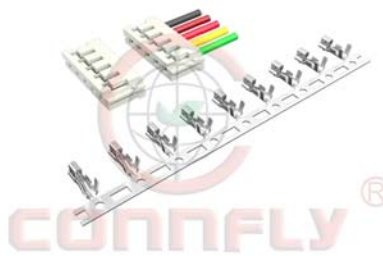
Wire range: AWG#30~#22

Recommend PC board thickness:1.6mm

Product Number Code:

DS1069-01 - X X X X X

- Contact Plating
6: Tin 8: Full gold flash
- Housing Color
W: White
- Mounting type
V: V/T type
R: R/A type
- Connector type
M: Male
- No.of contact
2~20



(Series Image-Reference Only)

GENERAL TOLERANCE		ANGLE TOLERANCE		PROJECTION		TITLE	
X.	±0.60	X.	±5°	UNITS	mm	2.50mm Wafer & Housing EH Type	
.X	±0.38	.X	±3°	SHEET SIZE	A4	SERIES	DS1069-01 SERIES
.XX	±0.25	.XX	±2°	晨翔电子有限公司 CONNFLY CONNFLY ELECTRONIC CO. LTD			
DRAWING TYPE		CUSTOMER					
SCALE	1:1	SHEET	1 OF 1				
DRAWING NO.		C-DS1069-01-XXXXX-C					