

	Date		Page	1 - 3
	Specification type			
	SND-2310E			

APPROVAL SHEET FOR PIEZOELECTRIC BUZZER

specification type	SND-2310E
Customer specification type	

Customer	
Customer name/Stamp/Sign/Date	Drawn: Lvling
	Checked:
	Approved:

	Date		Page	2 - 3
Specification type				
SND-2310E				

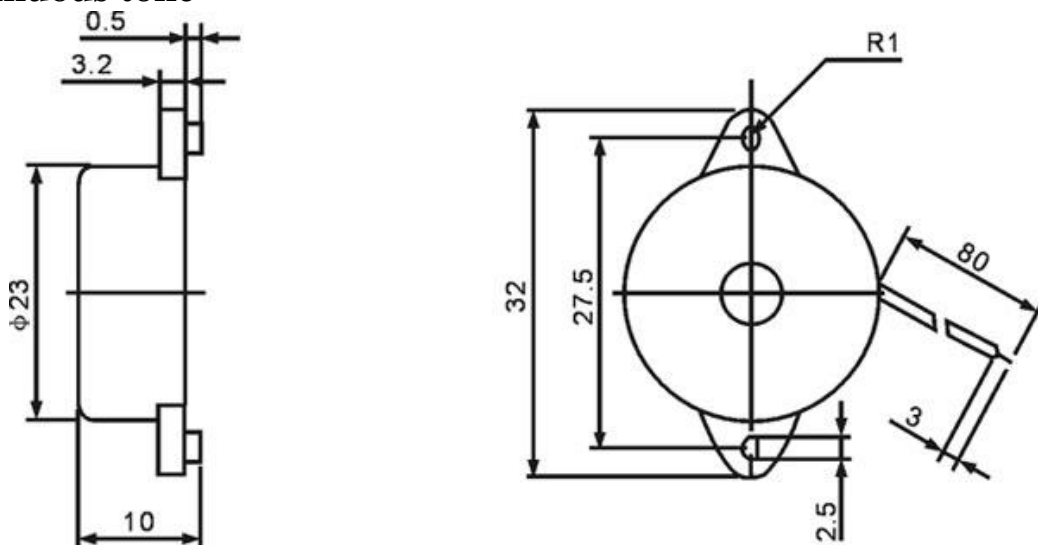
Specification for Piezoelectric Buzzer

Type	Unit	
Rated Voltage	V	24
Operating Voltage	V	18 ~ 30
Rated Current (MAX)	mA	≤20
Min Sound Output at 30cm	dB	≥85
Resonant Frequency	Hz	3500 ± 500
Operating Temperature	°C	-20 ~ +60
Storage Temperature	°C	-30 ~ +70
Housing Material		
Weight	g	4.0

(UNIT: mm)

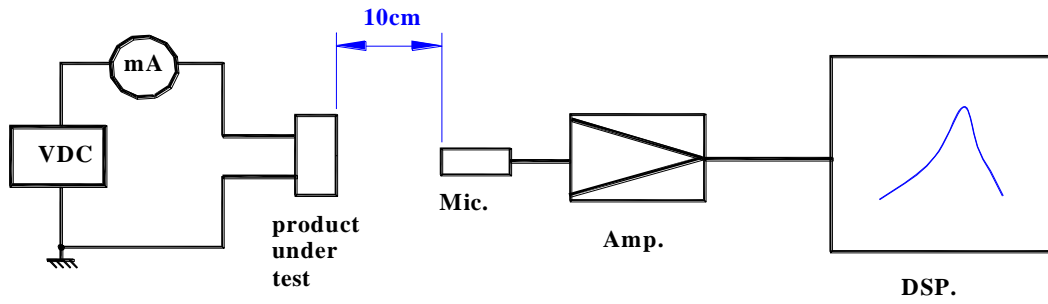
Tolerance: ±0.5mm Except Specified

Continuous tone

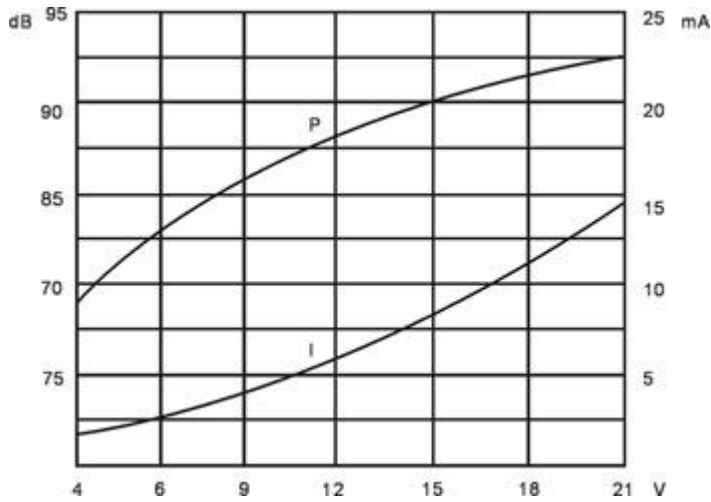


	Date		Page	3 - 3
	Specification type			
	SND-2310E			

Test
Met
hod
:



FREQUENCY RESPONSE



JIANGSU XINGHUA CITY HUAYU ELECTRONICS CO.,LTD

Address: The industrial estate of chenbao xinghua

兴化市华宇电子有限公司 兴化市陈堡镇人民路 1 号

TEL:+86-523-83723110 ; FAX:+86-523-83723118

Http://www.js-huayu.com E-mail: China_HYDZ@163.com